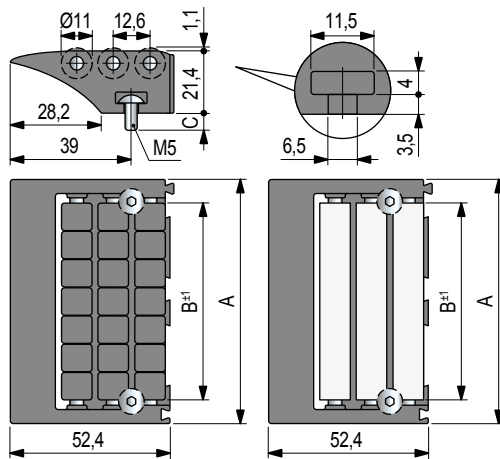


## Part. S0567



New versions with rollers in special low friction material (Aubergine), and with a single roller in PE (White)

### End transfer module (with lip)



#### Code

A mm	B mm	C mm	Frame and Rollers in acetal Rex-HP (dark grey)	Frame in acetal POM (black) Rollers in special material (aubergine)	Frame in acetal Rex-HP (dark grey) Single roller in PE (white)
			Without screws	<b>688792</b>	<b>638833</b>
85	67,6	7	<b>688802</b>	<b>638843</b>	<b>638853</b>
		13	<b>688812</b>	<b>688832</b>	<b>638863</b>
115	97	Without screws	<b>687382</b>	<b>638873</b>	<b>699002</b>
		7	<b>686472</b>	<b>638883</b>	<b>638893</b>
		13	<b>677322</b>	<b>638903</b>	<b>638913</b>

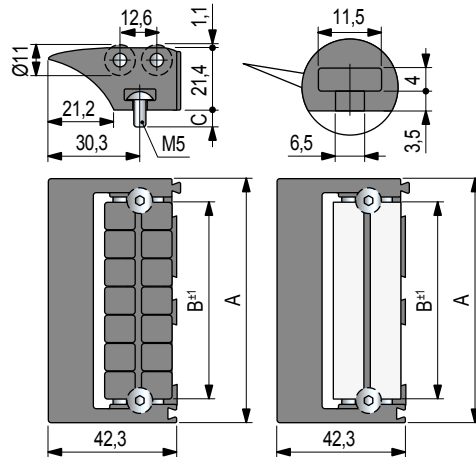
- Material: roller pins and screws in austenitic stainless steel.
- Modularity: snap-on assembly with Part. S0568.
- Packaging: 10 pieces.
- Weight: A=85: 0,09, A=115: 0,11.

## Part. S0672



New versions with rollers in special low friction material (Aubergine), and with a single roller in PE (White)

### End transfer module (with lip)



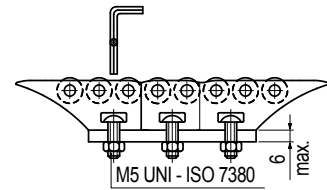
#### Code

A mm	B mm	C mm	Frame and Rollers in acetal Rex-HP (dark grey)	Frame in acetal POM (black) Rollers in special material (aubergine)	Frame in acetal Rex-HP (dark grey) Single roller in PE (white)
			Without screws	<b>687412</b>	<b>638923</b>
85	67,6	7	<b>687422</b>	<b>638933</b>	<b>638943</b>
		13	<b>675582</b>	<b>638953</b>	<b>638963</b>
115	97	Without screws	<b>687432</b>	<b>638973</b>	<b>699042</b>
		7	<b>687442</b>	<b>638983</b>	<b>638993</b>
		13	<b>675592</b>	<b>639003</b>	<b>639013</b>

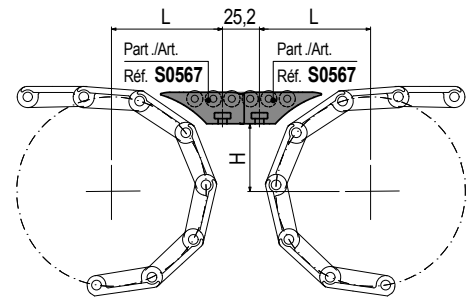
- Material: roller pins and screws in austenitic stainless steel.
- Modularity: snap-on assembly with Part. S0568.
- Packaging: 10 pieces.
- Weight: A=85: 0,09, A=115: 0,11.

### Fixing

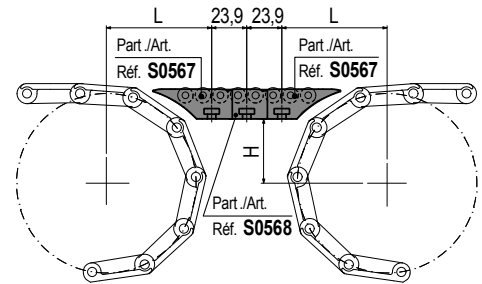
Screws are tightened with an hexagon key inserted between rollers.



### Head to tail transfer of small and light products.

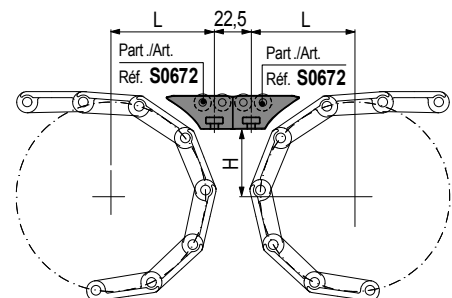


L and H see page S226.

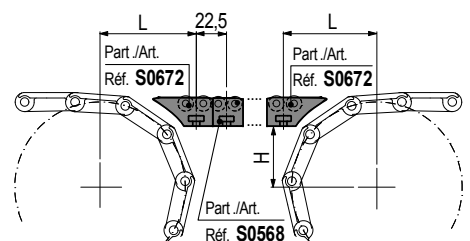


L and H see page S226.

### Compact version.



L and H see page S228.



L and H see page S228.

● Best Seller

● Standard

● On request: minimum quantity may apply. Consult our Customer Service for availability.

Item code for order = Part. + Code